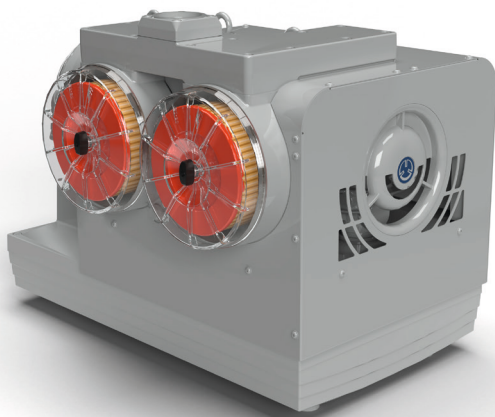


BETRIEBSANLEITUNG
OPERATING INSTRUCTIONS
INSTRUCCIONES DE SERVICE
ISTRUZIONI D'USO
HANDLEIDING
INSTRUCCIONES PARA EL MANEJO
MANUAL DE INSTRUÇÕES
NAUDOJIMOSI INSTRUKCIJA
KASUTUSJUHEND
LIETOŠANAS INSTRUKCIJA
DRIFTSINSTRUKS
DRIFTSINSTRUKTIONER
DRIFTSVEJLEDNING
INSTRUKCJA OBSŁUGI

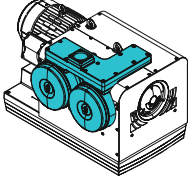
KEZELÉSI ÚTMUTATÓ
NÁVOD K OBSLUZE
NAVODILO ZA UPORABO
NÁVOD NA OBSLUHU
UPUTE ZA RAD
MANUAL DE OPERATII
TREORACHA OIBRIÚCHÁIN
ΟΔΗΓΙΕΣ ΧΡΗΣΗΣ
EL KITABI
ИНСТРУКЦИИ ЗА ЕКСПЛОАТАЦИЯ
ИНСТРУКЦИЯ ПО ЕКСПЛОАТАЦИИ
取扱説明書
사용설명서
使用说明书

BCV 300

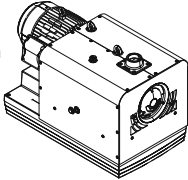
MAKE IT BECKER.



Type 1
with integrated filter



Type 2
without filter
for external filtration




1



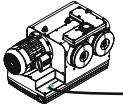
www.becker-international.com

2



AIR

3



BECKER	year	
No.		
type	Hz	
frequency	min ⁻¹	
speed	min ⁻¹	
power required	kW	
rated capacity	m ³ /h	
vacuum	mbar	

DIN EN ISO 11203
Accuracy Class 2
K_{pA} = 3 dB(A)
l ← 1m

L_{pA} = 69 dB(A) - 50Hz
L_{pA} = 72 dB(A) - 60Hz

4

INLET AIR

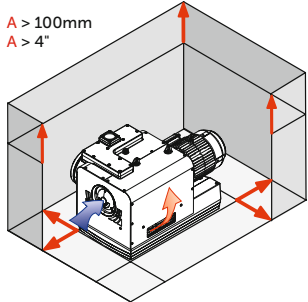
Avoid condensation

max. 90%

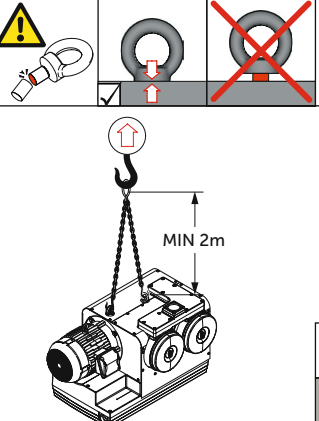
Please consult

BECKER

A > 100mm
A > 4"



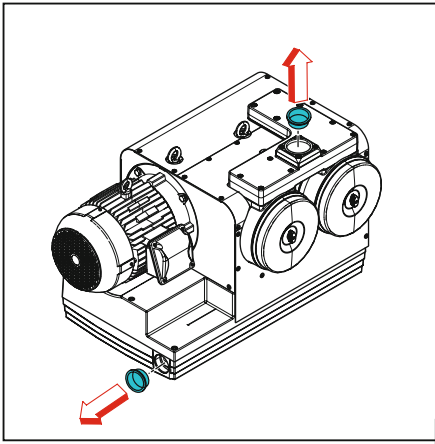
5



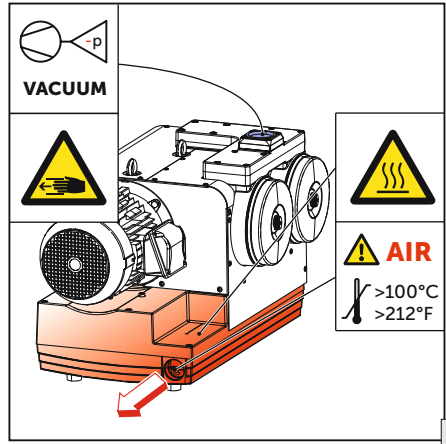
MIN 2m

300 kg
661 lbs

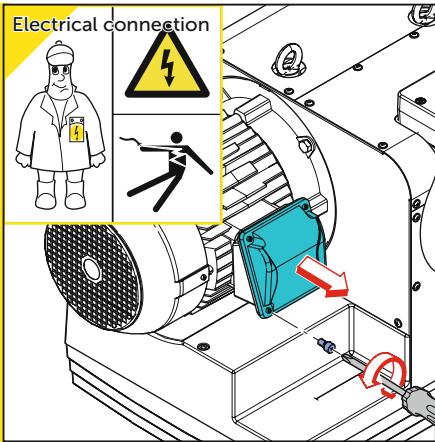
6



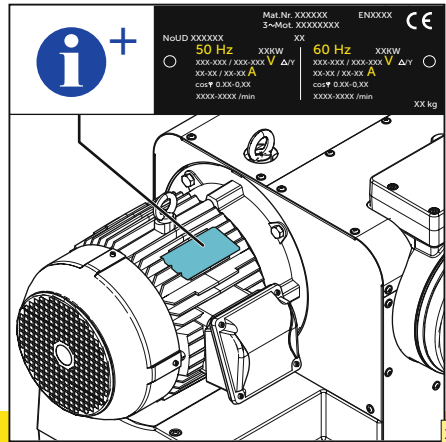
7



8



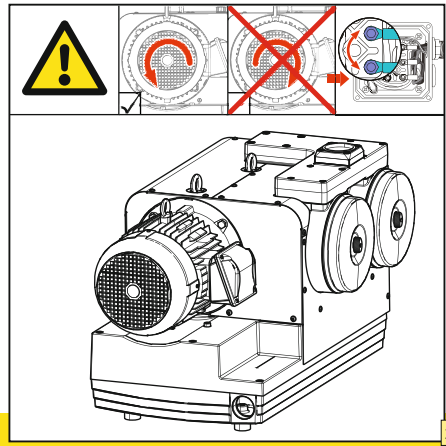
9



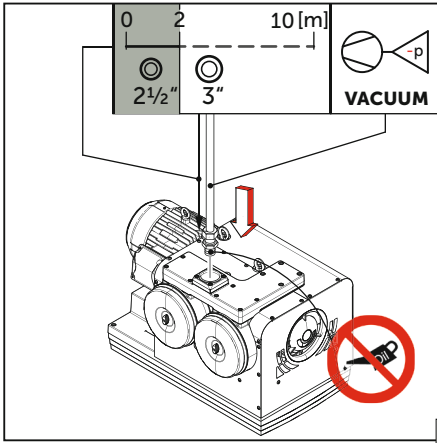
10

GENERAL	ADDITIONAL $M \geq 5.5 \text{ kW}$
<p>1) motor protection switch</p>	<p>RECOMMENDATION</p> <p>A Softstart</p> <p>B </p>
<p>ON (I) - 1 2 MAX 10/h</p> <p>OFF (0)</p>	<p>STANDARD</p> <p>PTC </p>

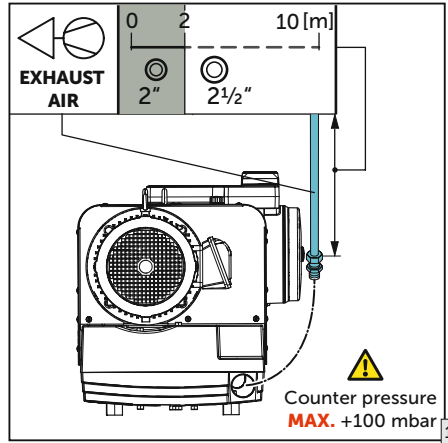
11



12



13



14

Maintenance

15

16

MAX MIN

check regularly
4x/year

< MIN

Becker Lube G 150

OFF

17

20.000 operating hours

every
3 years






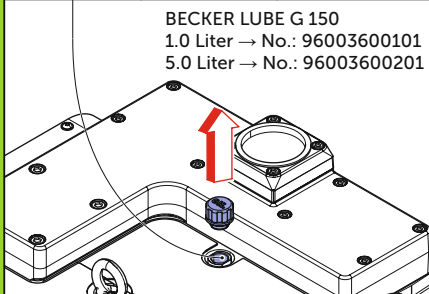
OIL

Ambient temp.


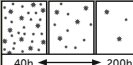

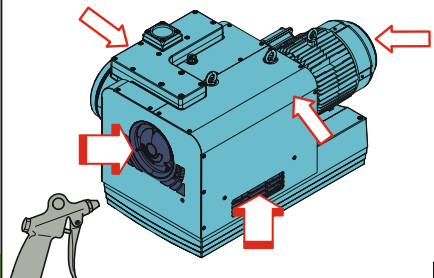
40°C
20°C

5.000h 20.000h
Operating hours


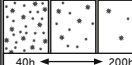
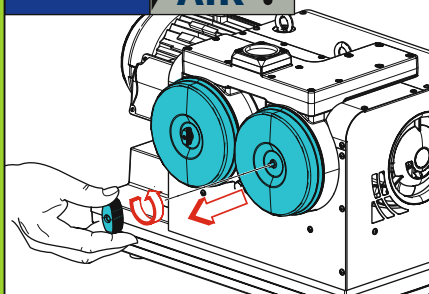
18

 1.0 Liter	 MAX 	 
<p>BECKER LUBE G 150 1.0 Liter → No.: 96003600101 5.0 Liter → No.: 96003600201</p> 		

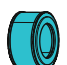
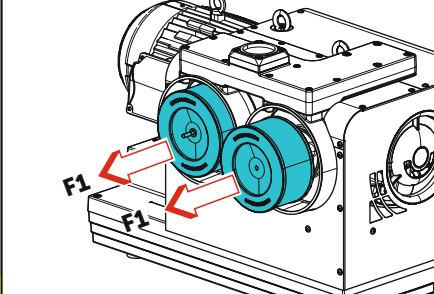
19

 40 - 200 h	 40h ← → 200h AMBIENT AIR ?	 EN149 - FFP3 42 CFR 84 - N100
		

20

 40 - 200 h	 40h ← → 200h INTAKE AIR ?	MIN 1x/a
		

21

 F1	2x No.: 90950065200 (PAPER) 2x No.: 90950165200 (POLYESTER)
	

22



WWW.BECKER-INTERNATIONAL-SHOP.COM

Gebr. Becker GmbH
 Hoelker Feld 29-31
 42279 WUPPERTAL
 GERMANY
info@becker-international.com
www.becker-international.com





MAKE IT BECKER.

281.00.065.31.0 | 2020-03-27 | All rights reserved